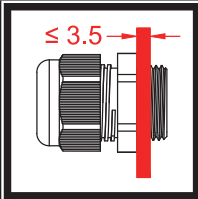

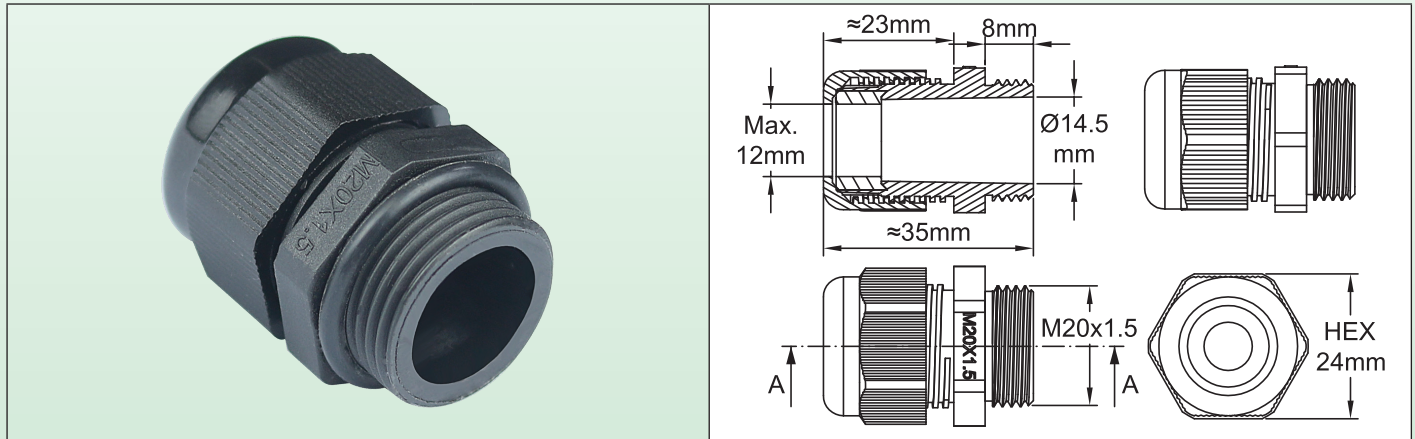


# M20 cable gland, short thread, in black PA6, IP68

Material	Gaskets	Wall		Models
PA6	Silicone NBR Viton			<b>6YTPEM20</b>



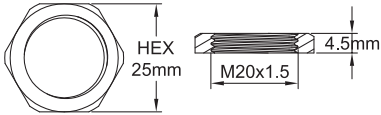

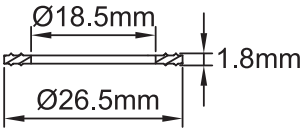

The reduced length of the thread makes it possible to mount it on enclosures with thin walls, without too much encroaching on the interior space. It has an O-ring to ensure the tightness with the enclosure, and the compression nut is self-locking. It allows to pass cable diameters up to 12mm. Made in PA6 UL94V2. Gaskets are available in 65 shore silicone or NBR 70 shore.

**Options:** flat or O-ring gasket and counter nut in PA6, Inside gasket in NKM (Viton)

## Main references

Sealing ring material	Cable diameters	References
NBR 70 shore	6mm ~ 8mm	6YTPEM20S040080N
NBR 70 shore	8mm ~ 12mm	6YTPEM20S080120N
Silicone 65 shore	6mm ~ 8mm	6YTPEM20S040080S
Silicone 65 shore	8mm ~ 12mm	6YTPEM20S080120S

## Spare parts

Nut, M20x1.5, PA6 black			66NCM20545H25
Flat external silicone gasket, 65 shore (Can replace the O-ring)			66JPT18518265

Excerpt from catalogue 10-2



Page (.pdf)



Drawing 2D (.dwg)



Drawing 3D (.stp)

